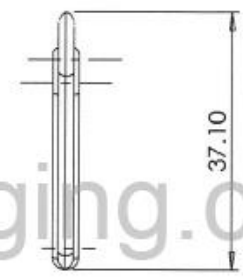
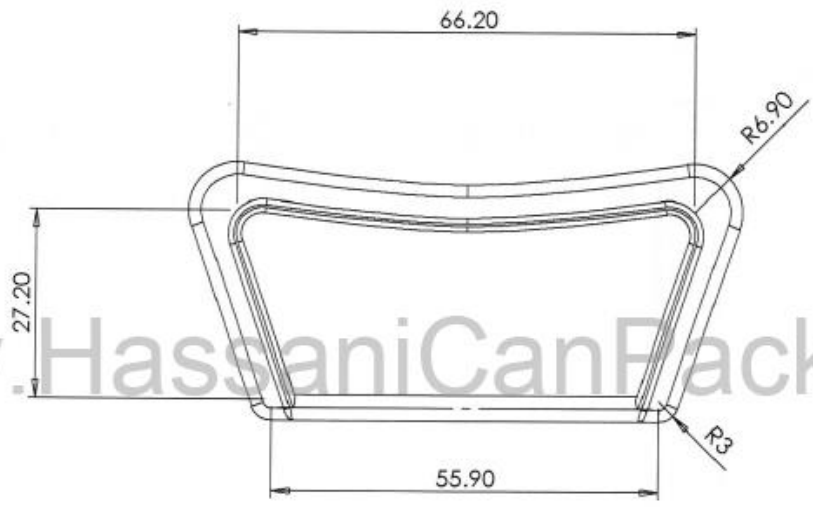


Weight	0.00Kg	Material	Specification	Sheet no
			Ø-	1

(mm)	
Dimension	Tolerant
1~4	±0.05
4~16	±0.07
16~63	±0.10
63~250	±0.20
250~1000	±0.30
1000~1500	±0.50



www.HassaniCanPackaging.co.id